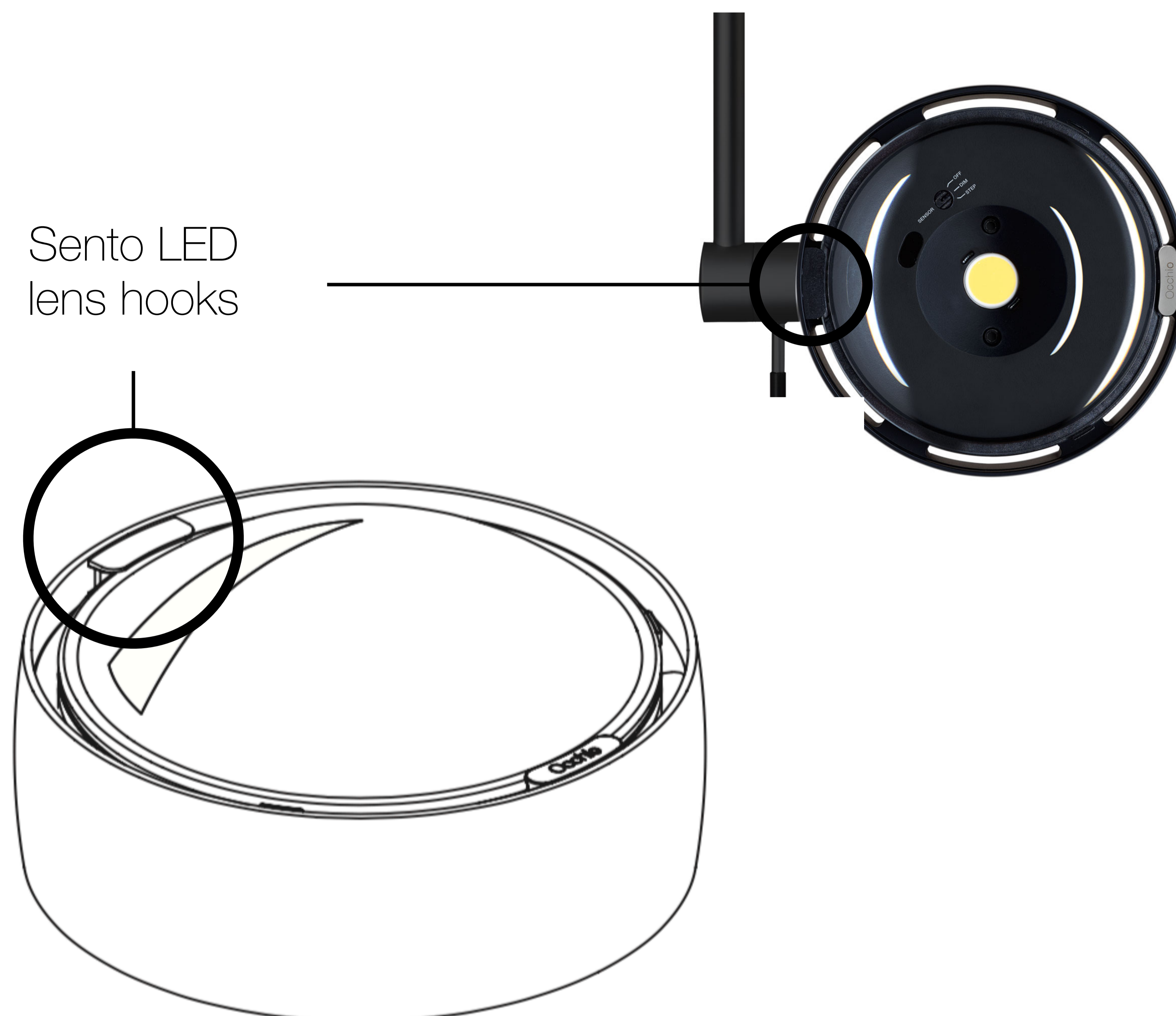


Sento LED heads lens hooks



In **first-generation Sento LED luminaire heads sold before July 2015** it is possible that the lens hooks can become distorted with intensive operation due to a problem with the metal alloy. **In very rare instances, this can lead to the lens being released from the hook.**

As a precaution, we therefore ask you to return affected luminaire heads for a revision to your Occhio partner.

Please find instructions on how to remove Sento LED heads below.

More information on www.occhio.de/hooks

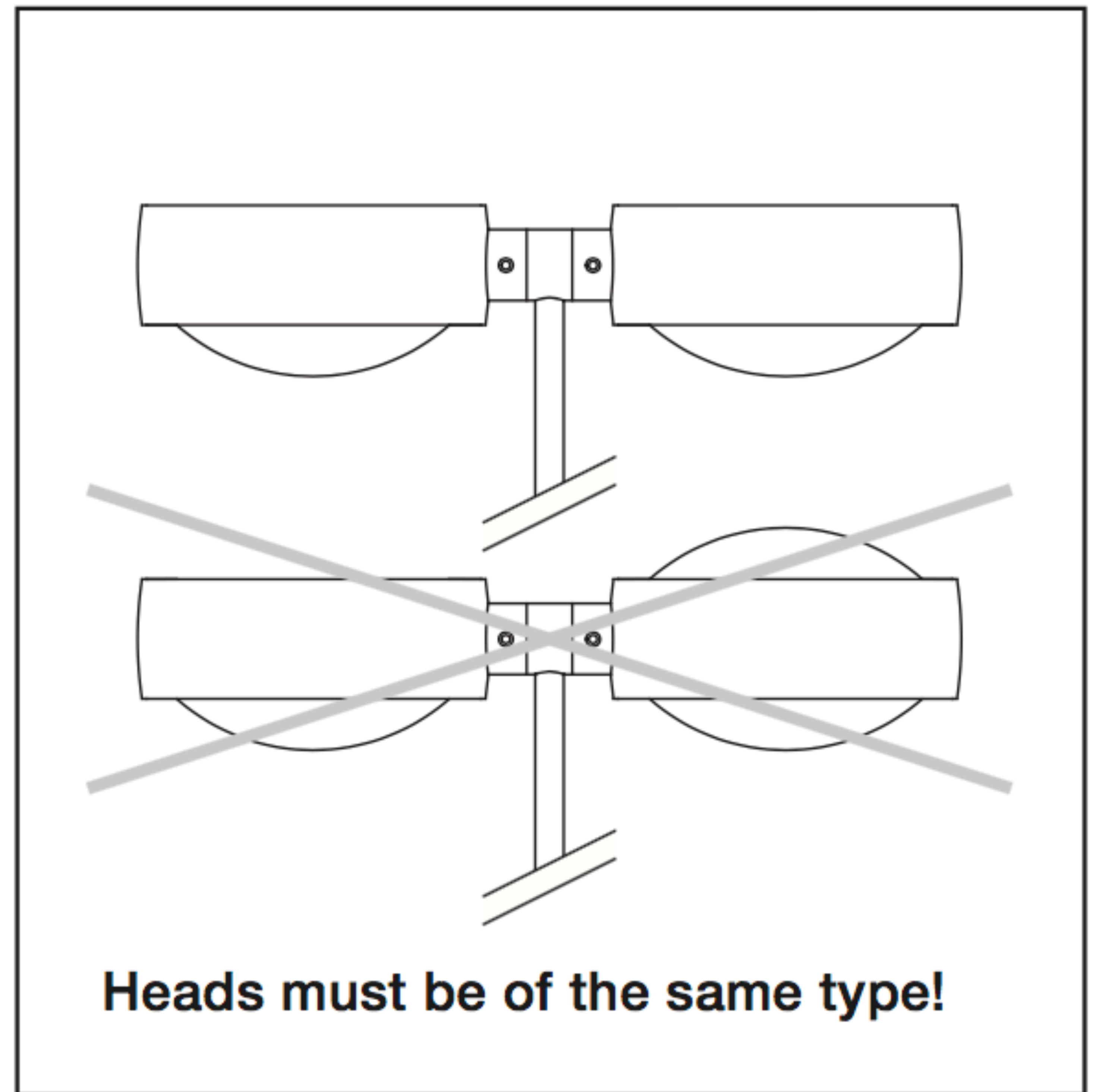
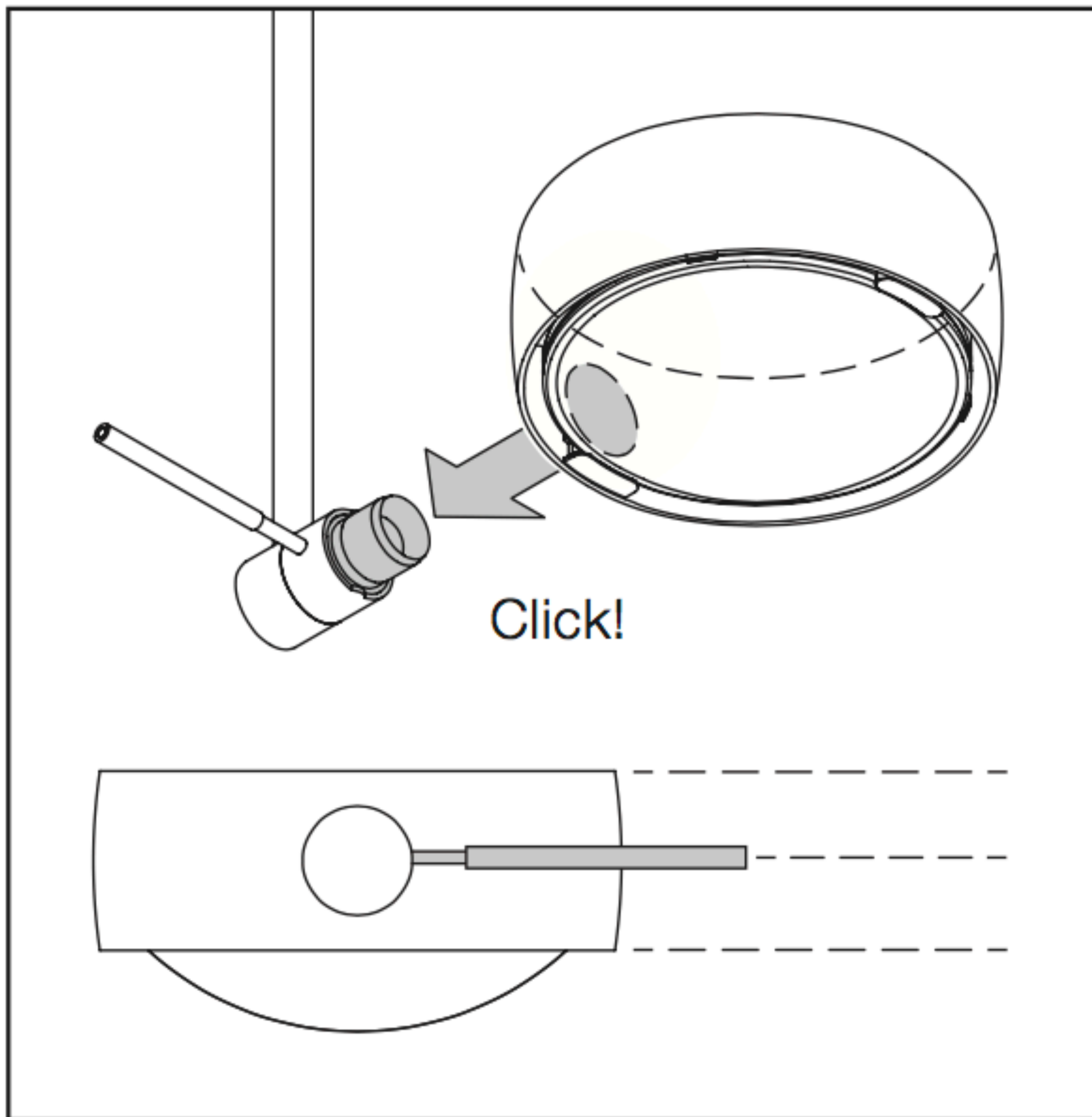
How to identify the date of manufacture:

If you are not sure how old your luminaire heads are, you may find the date of manufacture at the point marked in the picture. Simply remove the lens and look at the inside of the socket.

We would like to specifically point out that Sento LED heads of newer generations are not affected due to a change in production.



Assembling the head and body



Removing the head

